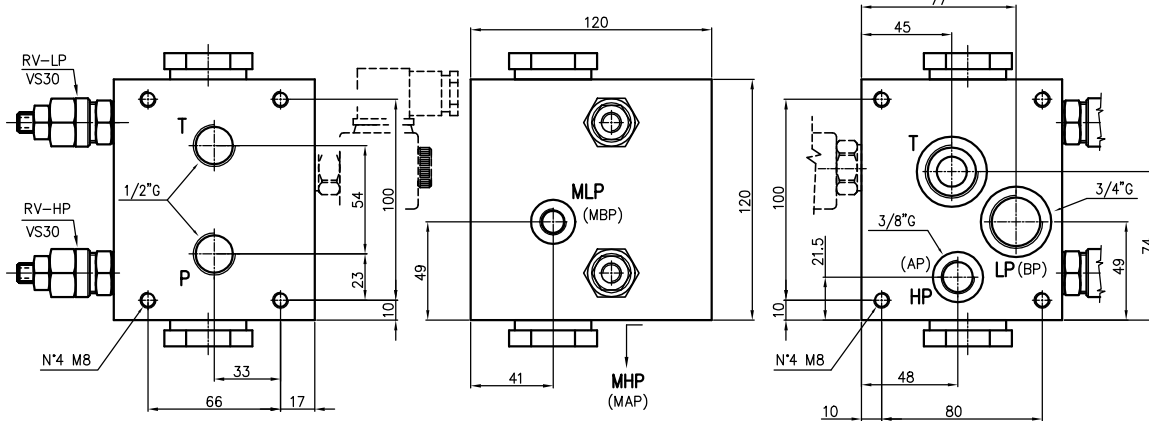
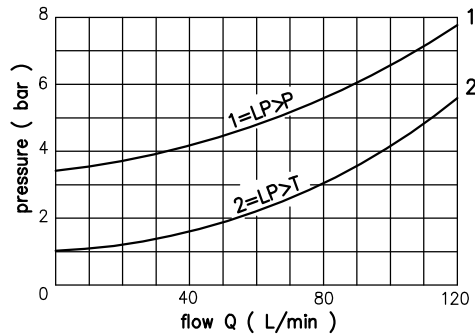


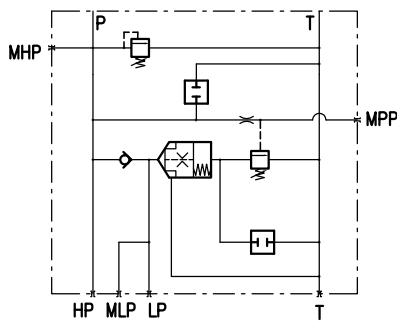
High/low pressure plate, on-line or modular mounting with EC5...
Ports: HP (AP) = 3/8"G, LP (BP) = 3/4"G, T = 3/4"G on rear.
Pre-arranged for electric venting on HP end LP.

TECHNICAL SPECIFICATIONS

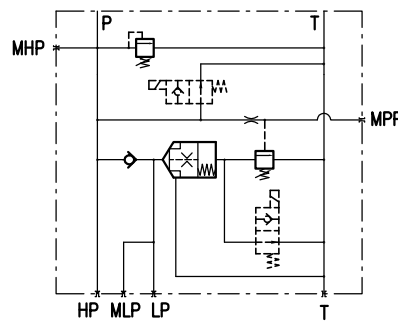
Nominal flow:	— 120 l/min.
Max pressure:	— 350 bar
Oil viscosity:	— 2,8–380 cSt
Oil temperature:	— -10°+80° (°C)
Oil type:	— mineral HL-HLP DIN 51524
Filtering:	— 19/15 ISO 4466 (25micron)
Gaskets:	— Polyurethane and NBR
Body material:	— GG 25
Weight :	— 10 Kg



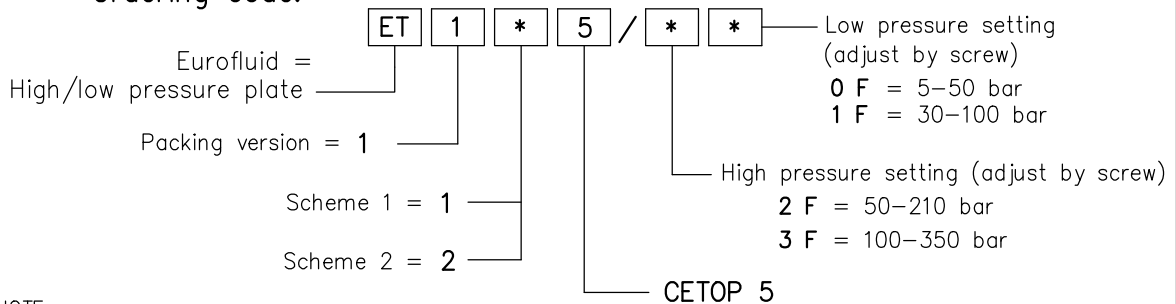
HYDRAULIC SCHEME TYPE 1



HYDRAULIC SCHEME TYPE 2



Ordering code:



NOTE:

- 1) By scheme 1 the plate is supplied with the closing plugs ETVEI for the cavities of the electric ventig (see page 53)
- 2) By scheme 2 the plates is supplied without the closing plugs for the cavities of the electric ventig (see page 53)
- 3) See page 50 for technical characteristics of VS30